

PTW Pinpoint Ionization Chambers

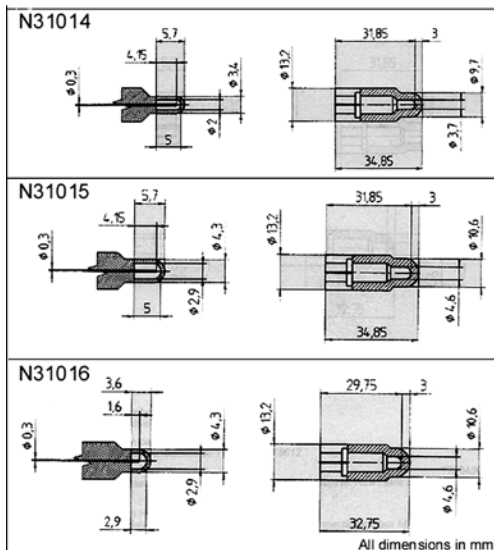
Model N31014, 0.015 cc

Model N31015, 0.03 cc

Model N31016, 0.015 cc spherical

PTW Pinpoint chambers have been specially designed for relative beam profile measurements in a motorized water phantom for characterization of LINAC radiation fields where superior spatial resolution is desired, and for evaluation of stereotactic and IMRT small radiation fields.

The Model N31016 distinguishes itself in having a flat angular response due to its sensitive volume being nearly spherical. When calibrated, the Pinpoint chambers can be used for depth dose and absolute dose measurements. The sensitive volume is vented, requiring air density correction. The wall material is graphite with a protective acrylic cover. The chambers are fully guarded up to the sensitive volume. The nominal energy ranges are 60 Co up to 50 MV photons and 6 to 50 MeV electrons. The chambers have a 28 mm long aluminum stem for mounting and a 1.3 m cable with choice of connector.



- ▶ Waterproof
- ▶ High spatial resolution
- ▶ Fully guarded



Specifications

Model Number:	N31014	N31015	N31016
(Previous Model):	31006	31009	N/A
Application:	photons and electrons		
Volume:	0.015 cm ³	0.030 cm ³	0.016 cm ³
Sensitivity:	0.004 nC/cGy	0.008 nC/cGy	0.004 nC/cGy
Wall material:	acrylic (PMMA) and graphite		
Wall thickness:	0.66 mm (0.57 mm PMMA + 0.09 mm graphite)		
Area density:	89 mg/cm ³	89 mg/cm ³	89 mg/cm ³
Thimble O.D.:	3.4 mm	4.3 mm	4.3 mm
Thimble I.D.:	2 mm	2.9 mm	2.9 mm
Electrode material:	Al 99.98 R	Al 99.98 R	Al 99.98 R
Electrode Diameter:	0.3 mm	0.3 mm	0.3 mm
Electrode Length:	4.15 mm	4.15 mm	1.6 mm
Reference Point from tip:	3.4 mm	3.4 mm	2.4 mm
Stem Diameter:	7 mm	7 mm	7 mm

Angular dependence: ≤1% up to 20° axis tilt

Leakage: ≤4 x 10⁻¹⁵ A

Bias: 400 V maximum, 300 V typical

Cable: 1.3 m low noise, triaxial

Cable sheath: Tygon®-type, radiation/light resistant

Connector: triaxial BNC with cap and chain (TNC optional)

Accessories

3BM-F10 10 m extension cable, triax BNC, male/female with caps and chains (also available in custom lengths and/or mounted in a reel)

3BF-3TMF Triaxial BNC to TNC adapter

865 Easthagan Drive, Nashville, Tennessee 37217 USA

phone 615 391 3076 800 635 2662 fax 615 885 0285 www.cnmcco.com

AFRICA | ASIA | EUROPE | LATIN AMERICA | MIDDLE EAST | NORTH AMERICA



Best®

healthcare for everyone